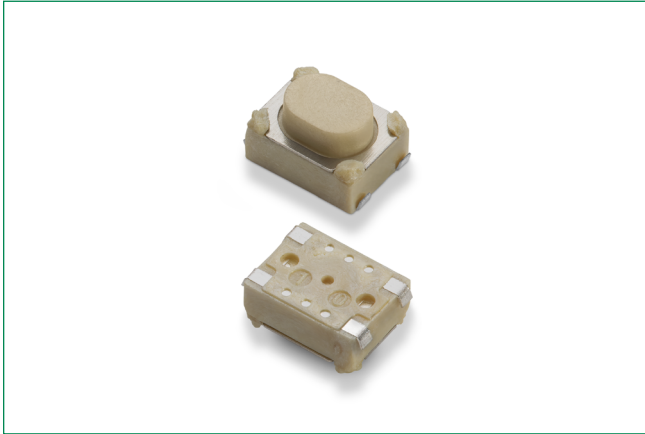


TS-1127V/TS-1127S

Microminiature SMT Top Actuated



Description

The TS-1127 series is a small 4.2 x 3.2 mm form factor in SMT version with 2.50 mm height and 3 available actuation forces, ideal for general usage applications.

Features & Benefits

- 4.2 x 3.2 mm footprint
- 2.5 mm thickness
- Commercial grade

Applications

- IoT devices
- Home automation
- Remote controls

Specifications

Function	Momentary action
Contact Arrangement	1 make contact = SPST NO
Terminals	J type for SMT
Travel	0.20mm ± 0.1mm

Electrical Characteristics

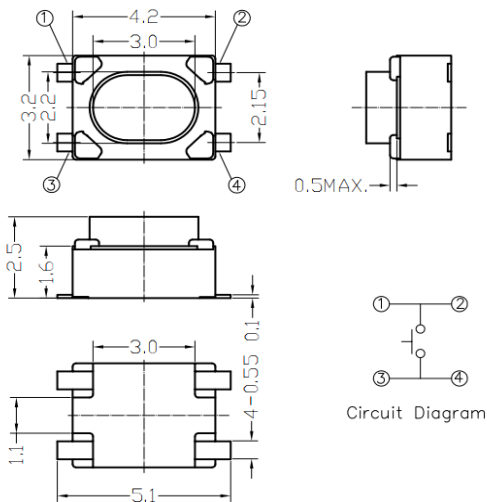
Max. Voltage	12 VDC
Max. Current DC	50 mA
Dielectric Strength	250 vA C (1mn)
Contact Resistance	≤ 100 mΩ initial
Insulation Resistance	≥ 100 MΩ
Bounce Time	≤ 10 ms

Environmental Characteristics

Operating Temperature	-40°C to 90°C
------------------------------	---------------

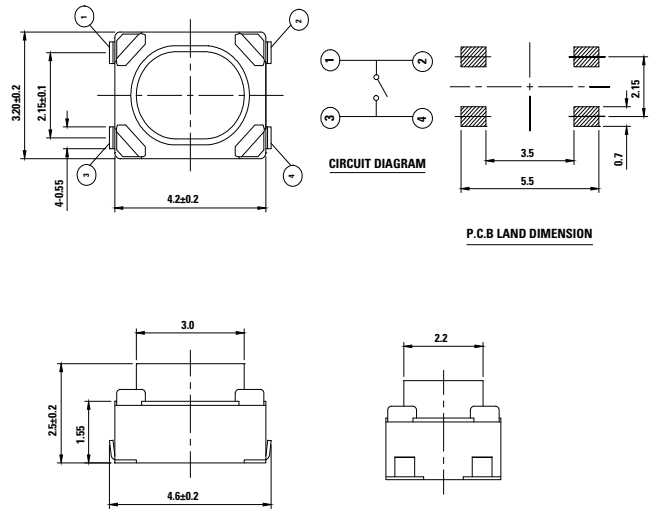
TS-1127S

Dimensions (mm)



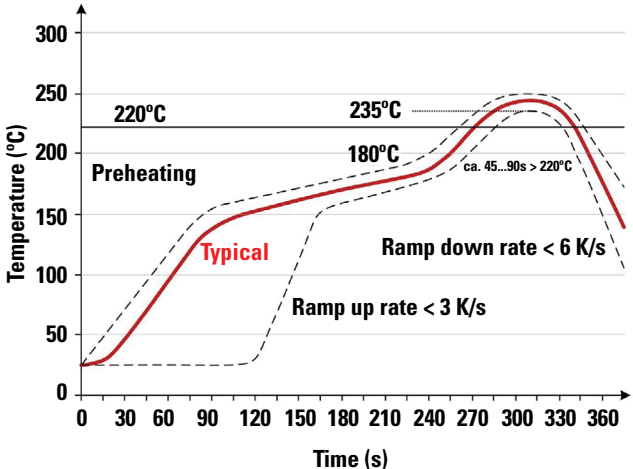
TS-1127V

Dimensions (mm)



TS-1127V/TS-1127S Microminiature SMT Top Actuated

Soldering Profile

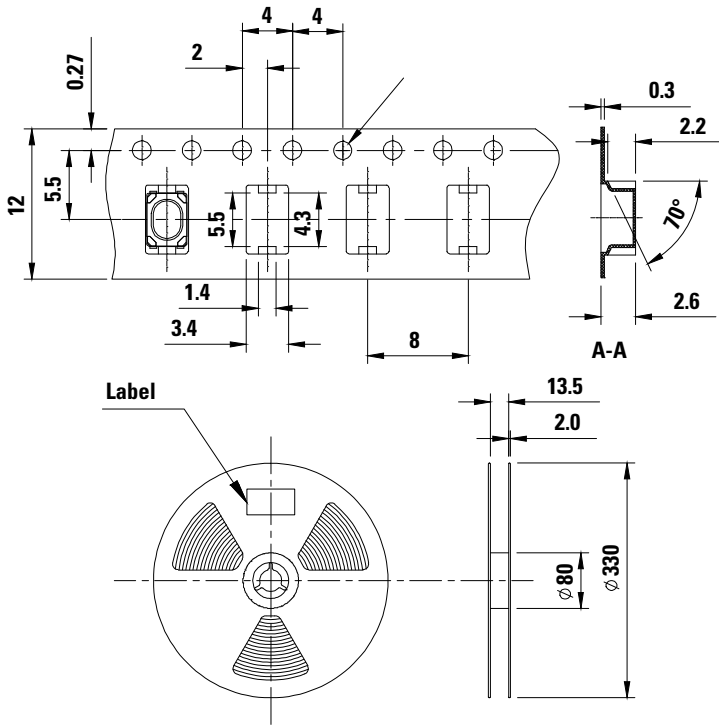


Soldering process: Depending on the application, this component is suited to the following methods:

- This component is suited to the following methods: Infrared Reflow Soldering in accordance with IEC61760-1
- Terminals being silver or gold plated over a nickel barrier, the use of slightly activated flux is suitable.
- Lead free soldering process in accordance with the definition on the left.

Note: Up to 2 reflow cycles in accordance with the above temperature profile

Packaging Dimensions (mm)



Note: Switches in reels of 2,900 pieces. Dimensions of reels according to EIA 481B. External diameter 330 mm.